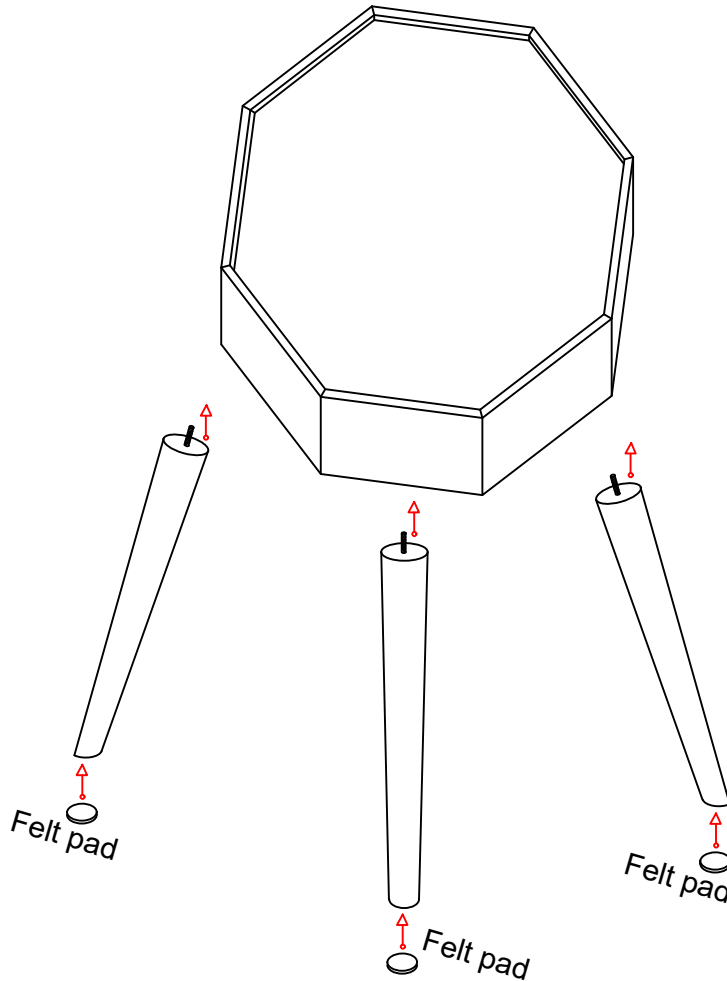


Assembly Instructions - SET OF 3 - Wooden Legs



Steps:

There are:

3 size tables tray ;9 Wooden legs

- Make sure to install legs with equal heights on each table top.
- Position the trays on flat surface.
- Attach the tray to the legs with the mounting screws to the plastic pre-mounting plates on the tray.
- Repeat the previous steps with all table trays